



2700/4



2700/5



2700 (see-through)



2700/8 Graffia



2700/8



2700/75 + 2700/6



Firespeaking, LLC
89242 Fir Butte Rd.
Eugene, OR 97402
CCB# 200122

www.firespeaking.com
info@firespeaking.com
(541) 632-3028

Tulikivi TTU 2700 Model Review

Last Modified: February 24, 2019

Authorized Dealer of:





The Basic 2700 model has a wide range of customizable options that can help it suit both the form and function of the warm space you are creating.



Firespeaking, LLC
89242 Fir Butte Rd.
Eugene, OR 97402
CCB# 200122

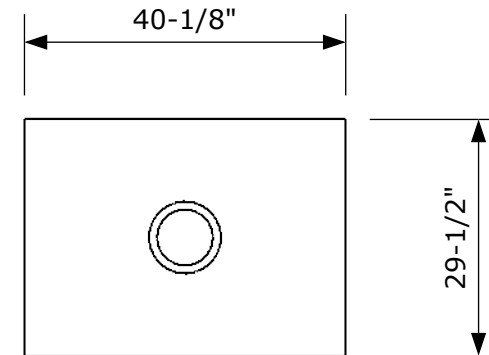
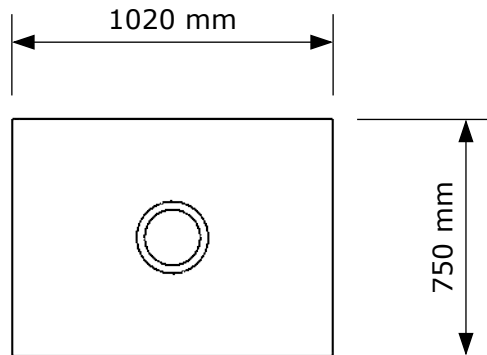
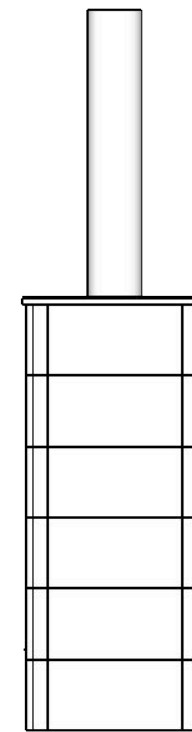
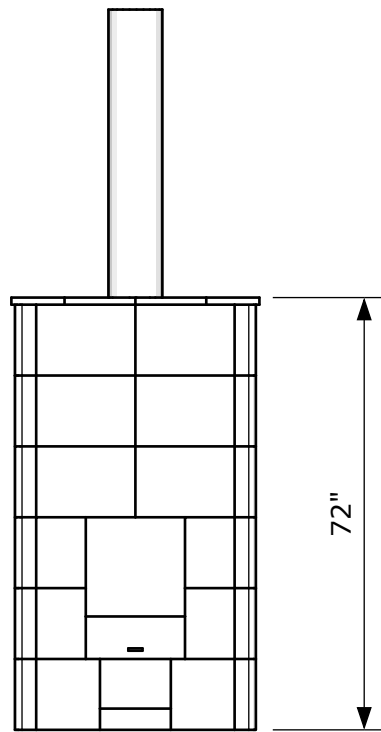
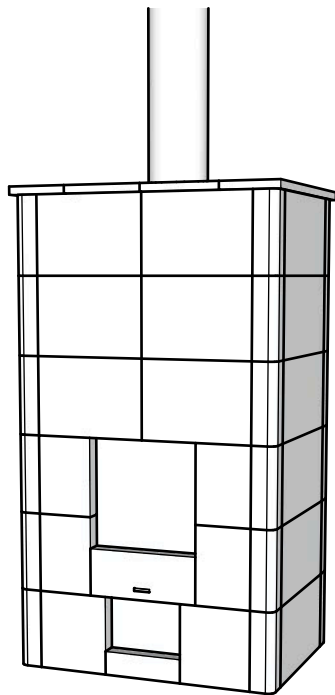
www.firespeaking.com
info@firespeaking.com
(541) 632-3028

Tulikivi TTU 2700
Photo Examples

Last Modified: February 24, 2019

Authorized Dealer of:





For initial layout planning, the TTU 2700 is 40" wide, 30" deep and 6' tall.



Firespeaking, LLC
89242 Fir Butte Rd.
Eugene, OR 97402
CCB# 200122

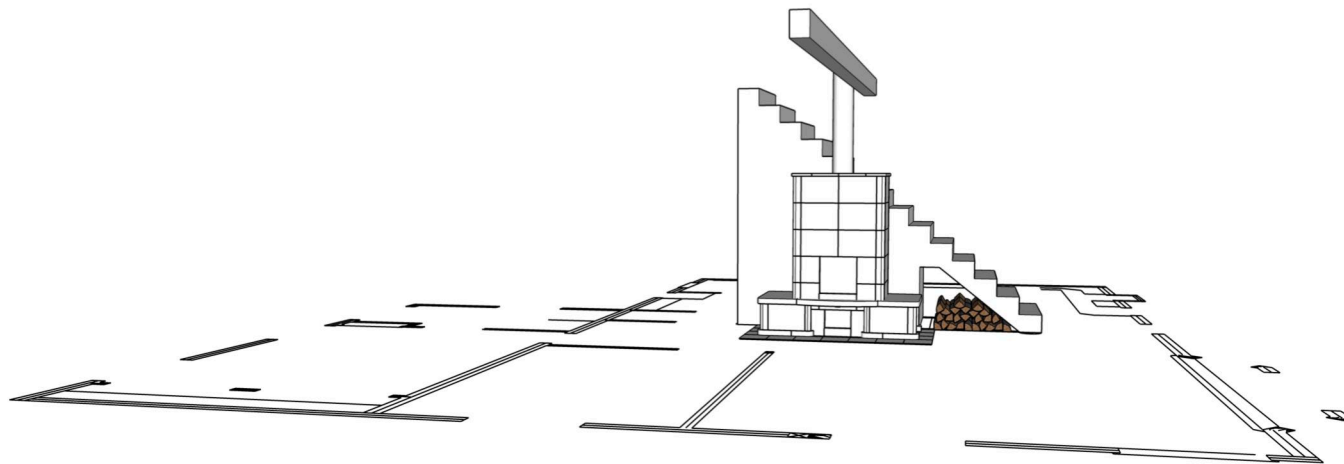
www.firespeaking.com
info@firespeaking.com
(541) 632-3028

Tulikivi TTU 2700 Basic Layout

Last Modified: February 24, 2019

Authorized Dealer of:





A Tulikivi Masonry Heater allows you to heat your home by burning wood in the cleanest and most efficient way possible. The mass of the heater allows you to accumulate the warmth generated by a 2 hour fire so that it provides radiant warmth for the next 12-24 hours.

Tulikivi units offer a combination of high level of engineering, quality of materials and design.

The TTU 2700 was designed for the North American market. It has a large fire box while maintaining a compact shape and footprint. It often serves as a pseudo room divider between kitchen, dining and living rooms. It is most effective as a central element in an open floor plan, although it can also be placed against a wall when proper clearances are respected.

While this guide is provided for initial planning and design, it is essential to be in good communication with us during the planning phase so that we can ensure that all of the correct relationships between the unit and the foundation, floor framing, ceiling, roof and any additional clearances to combustibles are adequately planned for.

After an initial consultation, we will present an estimate that can form the basis for a budget for the project. Based on further communication with any revisions necessary, we can refine our estimate and present it together with a contract and a request for a deposit.

The foundation for the heater is typically poured along with the rest of the foundation of the home. Framing (floor, ceiling, roof) is done with precise consideration for the unit. At the point of roof sheathing is when the chimney is typically installed so that it can be flashed into the roofing. We do chimney installations within a 1 1/2 hr. Radius of Eugene. Otherwise, we recommend you use a local chimney installer who you put in direct communication with us so we can ensure compatibility.

The unit is typically installed in new construction just after drywall is installed.



Firespeaking, LLC
89242 Fir Butte Rd.
Eugene, OR 97402
CCB# 200122

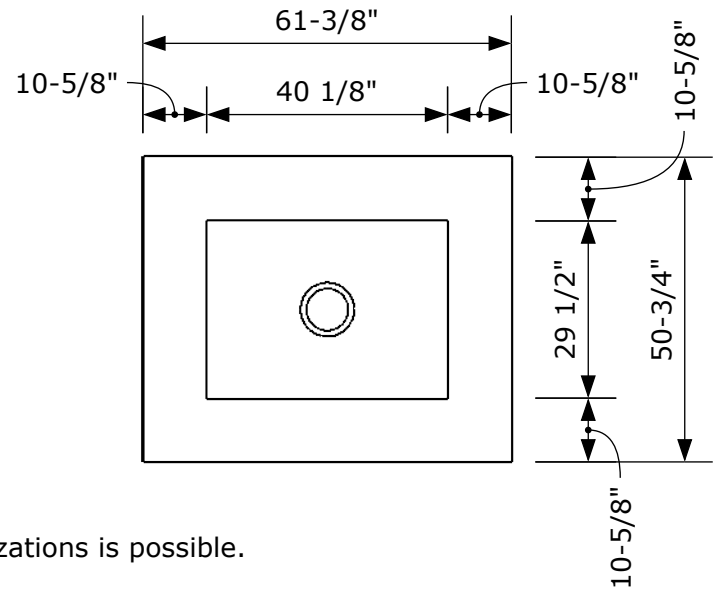
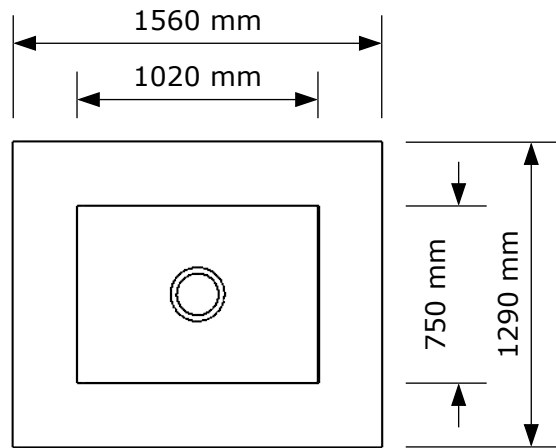
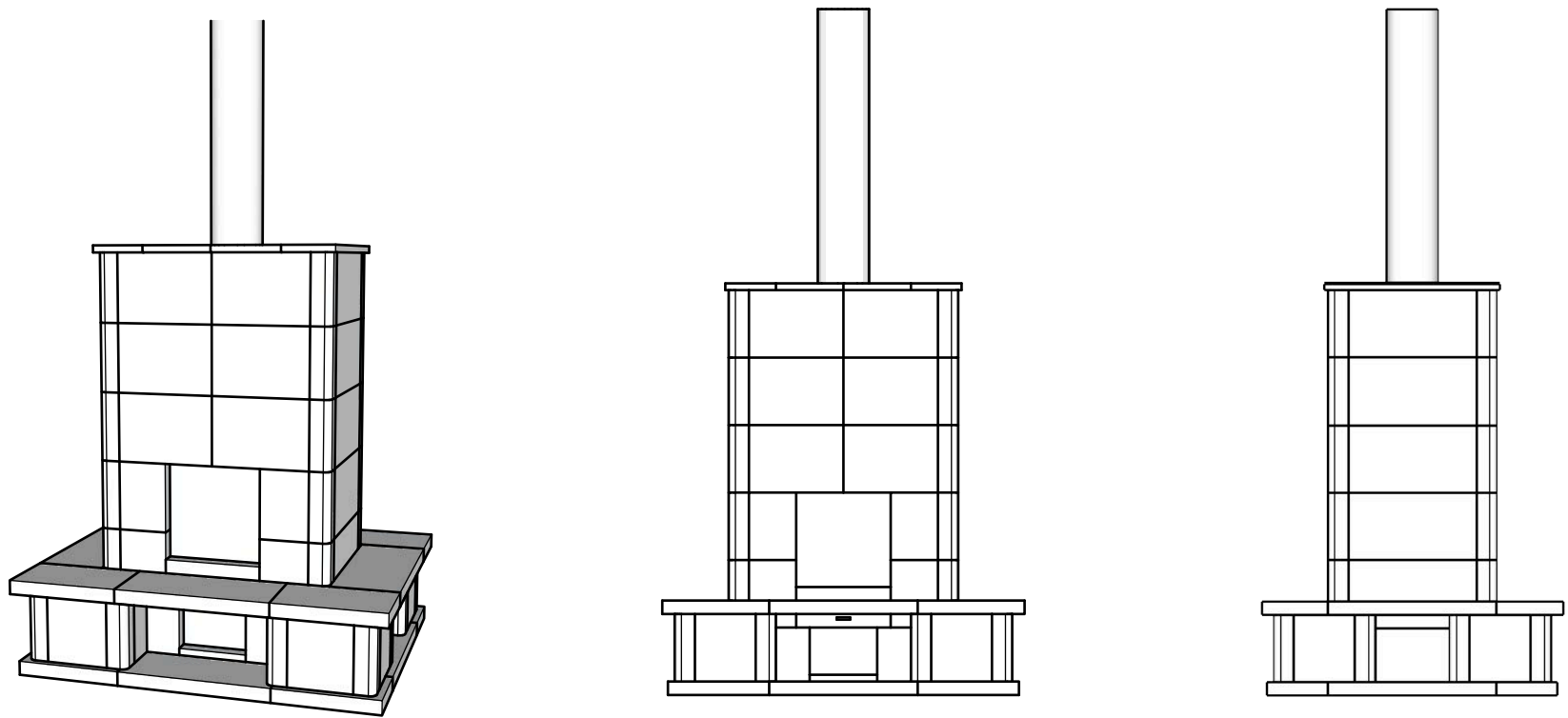
www.firespeaking.com
info@firespeaking.com
(541) 632-3028

**Tulikivi TTU 2700
Process**

Last Modified: February 24, 2019

Authorized Dealer of:





While a 4-sided bench is illustrated here, any number of sides and customizations is possible.



Firespeaking, LLC
 89242 Fir Butte Rd.
 Eugene, OR 97402
 CCB# 200122

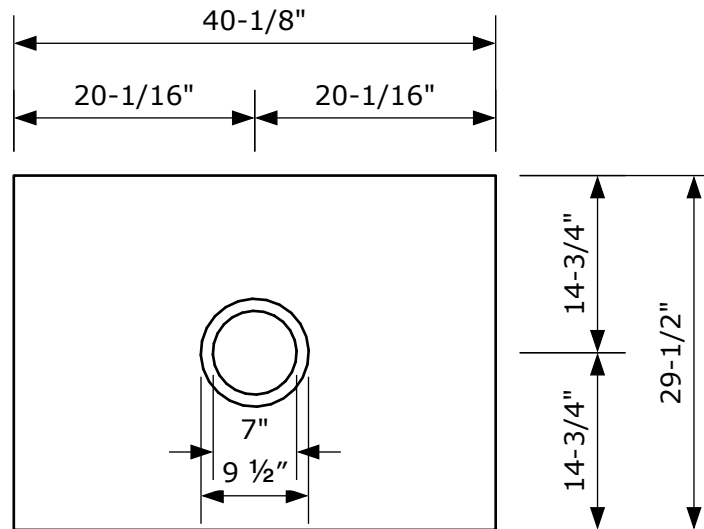
www.firespeaking.com
 info@firespeaking.com
 (541) 632-3028

Tulikivi TTU 2700
Basic Layout with Bench

Last Modified: February 24, 2019

Authorized Dealer of:





The TTU2700 should be vented with a 7" ID (9 1/2" OD) Class A Chimney. Ceiling and Roof Framing should maintain a 2" clearance to combustibles. A Double Wall Chimney Connector may be used between the unit and a ceiling support unit which transitions to Class A. The default placement is centered on the top of the unit, as shown above. If a different location is desired or any bends are proposed, please consult us to confirm feasibility.



Firespeaking, LLC
89242 Fir Butte Rd.
Eugene, OR 97402
CCB# 200122

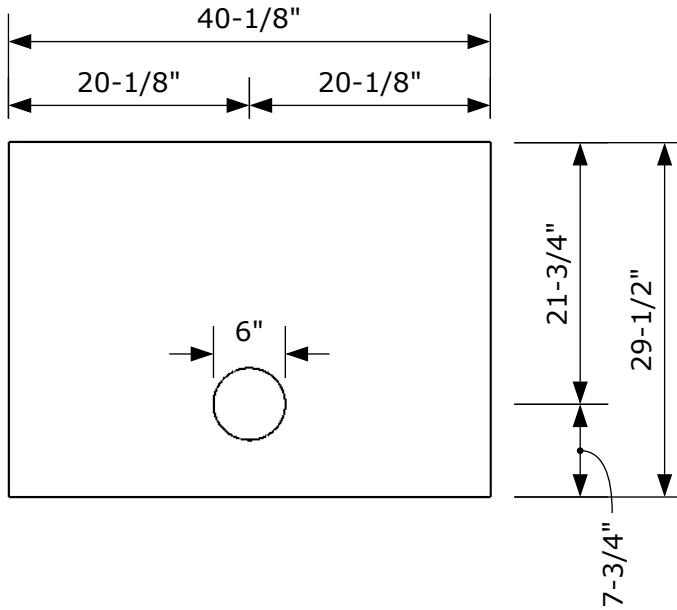
www.firespeaking.com
info@firespeaking.com
(541) 632-3028

**Tulikivi TTU 2700
Chimney**

Last Modified: February 24, 2019

Authorized Dealer of:





The NFPA 211 and IRC both have requirements for the exterior inlet of the combustion air duct. If a building has an unconditioned crawlspace, the inlet may originate there and the duct may be incorporated into the foundation. For buildings with slab on grade foundations, care must be taken to place outside air duct at time of concrete pour. The NFPA 211 specifies that the inlet should not originate in a basement, garage or other interior space.

Tulikivi specifies a 6" duct. The duct's materials may be either PVC or galvanized ducting. Underneath the footprint of the heater and up to 1' away must be non-combustible.



Firespeaking, LLC
89242 Fir Butte Rd.
Eugene, OR 97402
CCB# 200122

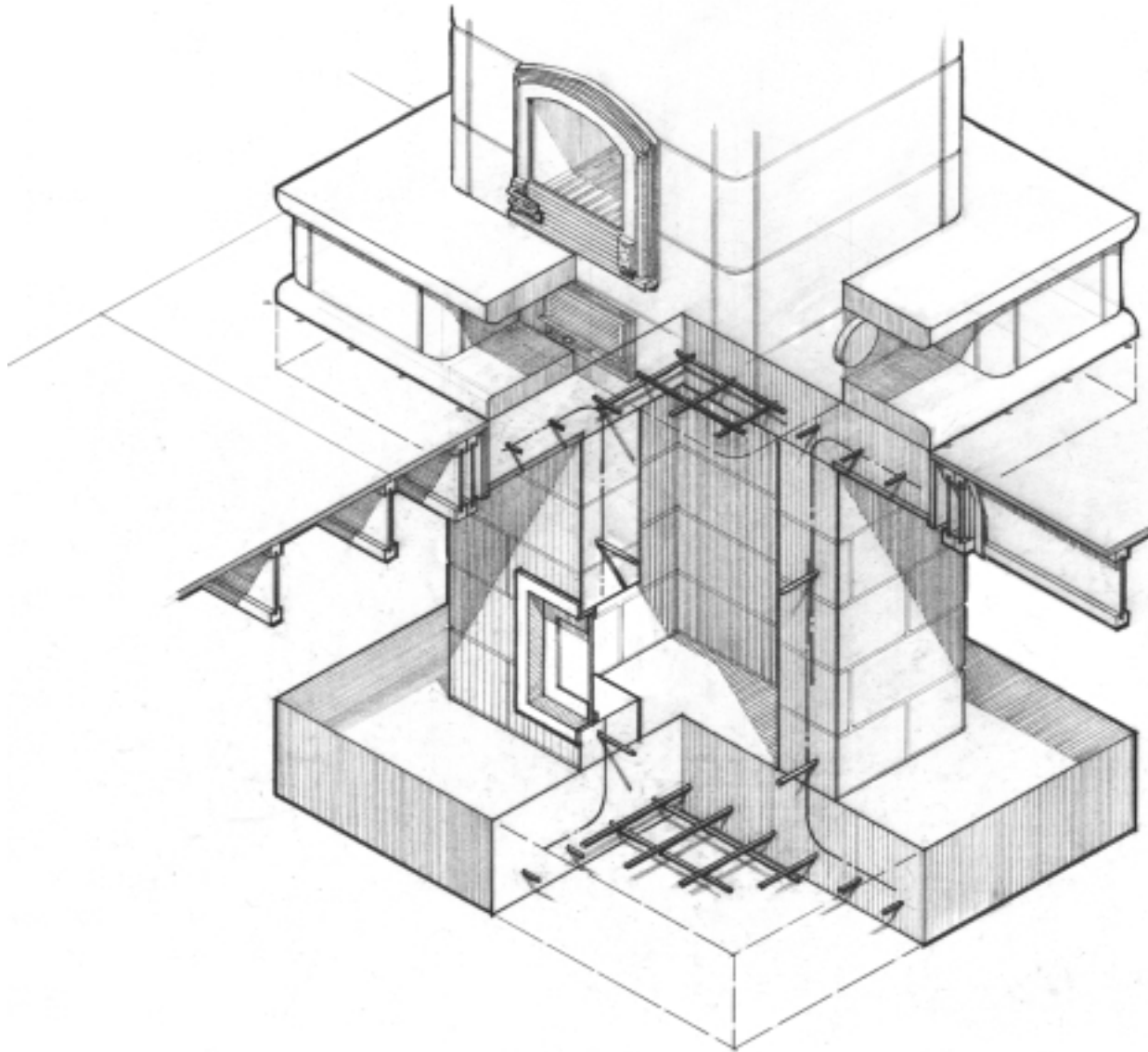
www.firespeaking.com
info@firespeaking.com
(541) 632-3028

Tulikivi TTU 2700
Outside Air Intake

Last Modified: February 24, 2019

Authorized Dealer of:





Please consult for final details. Drawings can be provided.



Firespeaking, LLC
89242 Fir Butte Rd.
Eugene, OR 97402
CCB# 200122

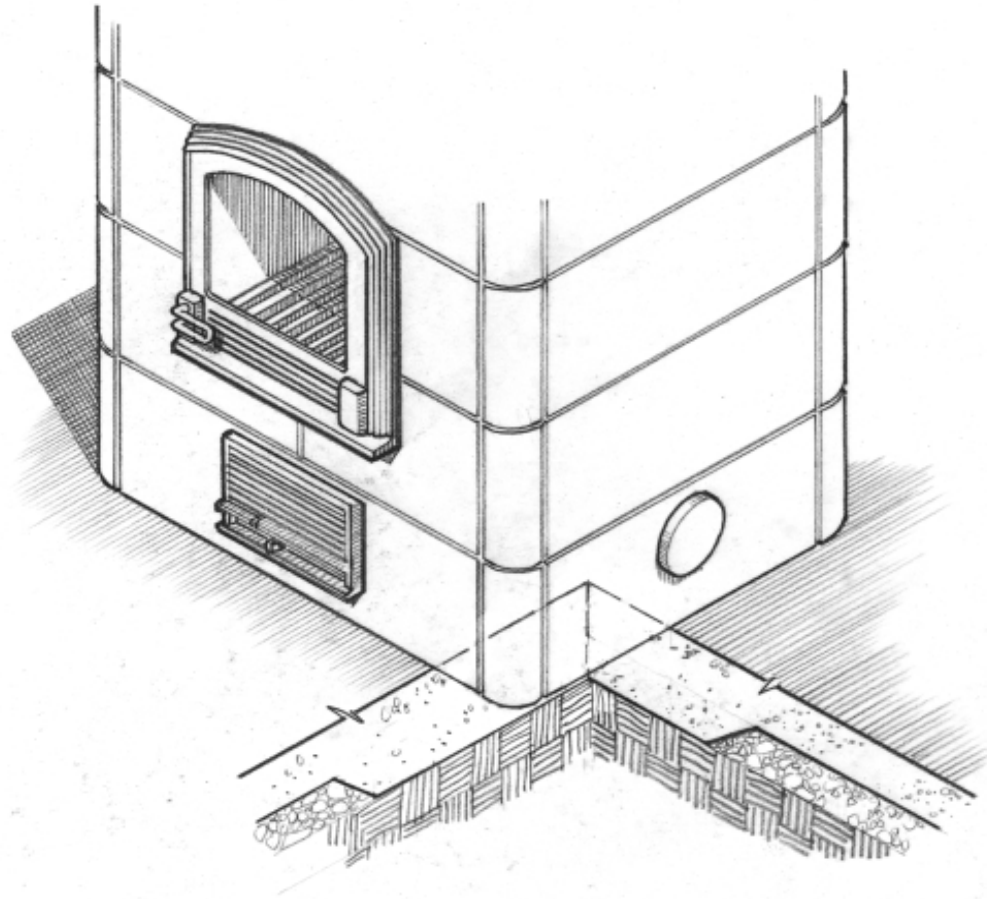
www.firespeaking.com
info@firespeaking.com
(541) 632-3028

Tulikivi TTU 2700 Sample Masonry Foundation

Last Modified: February 24, 2019

Authorized Dealer of:





Typically concrete 12" thick, extending 6" beyond heater footprint with 1/2" (#4) rebar on 12" centers.

Other engineered supports for the unit are possible.



Firespeaking, LLC
89242 Fir Butte Rd.
Eugene, OR 97402
CCB# 200122

www.firespeaking.com
info@firespeaking.com
(541) 632-3028

Tulikivi TTU 2700
Slab On Grade Foundation

Last Modified: February 24, 2019

Authorized Dealer of:

